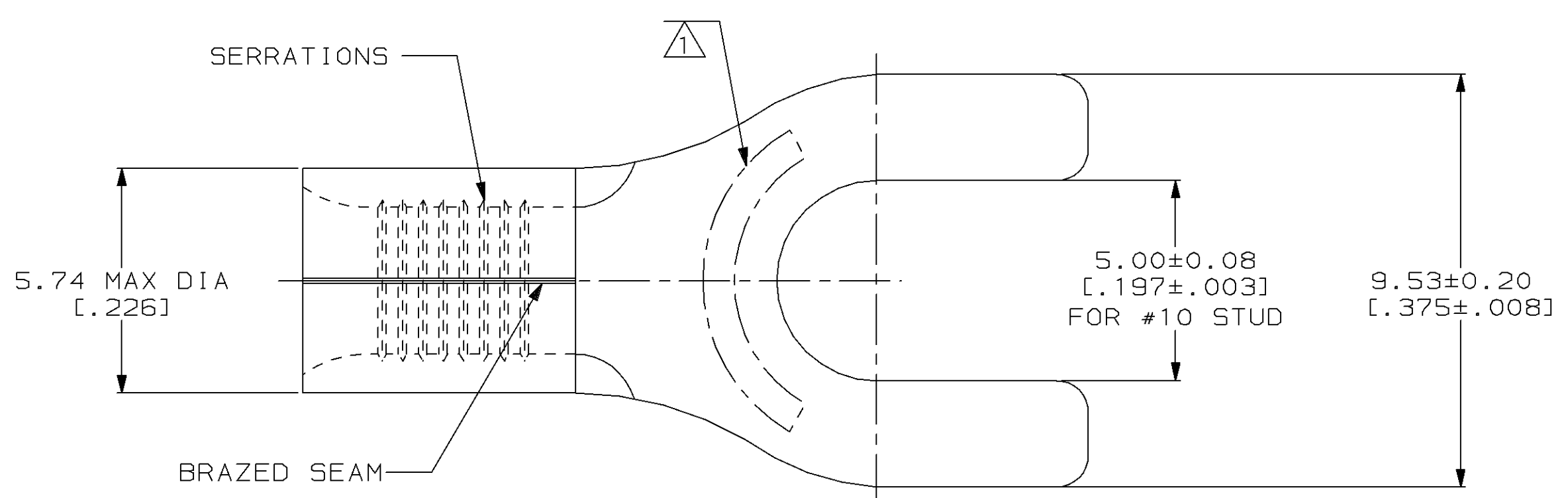


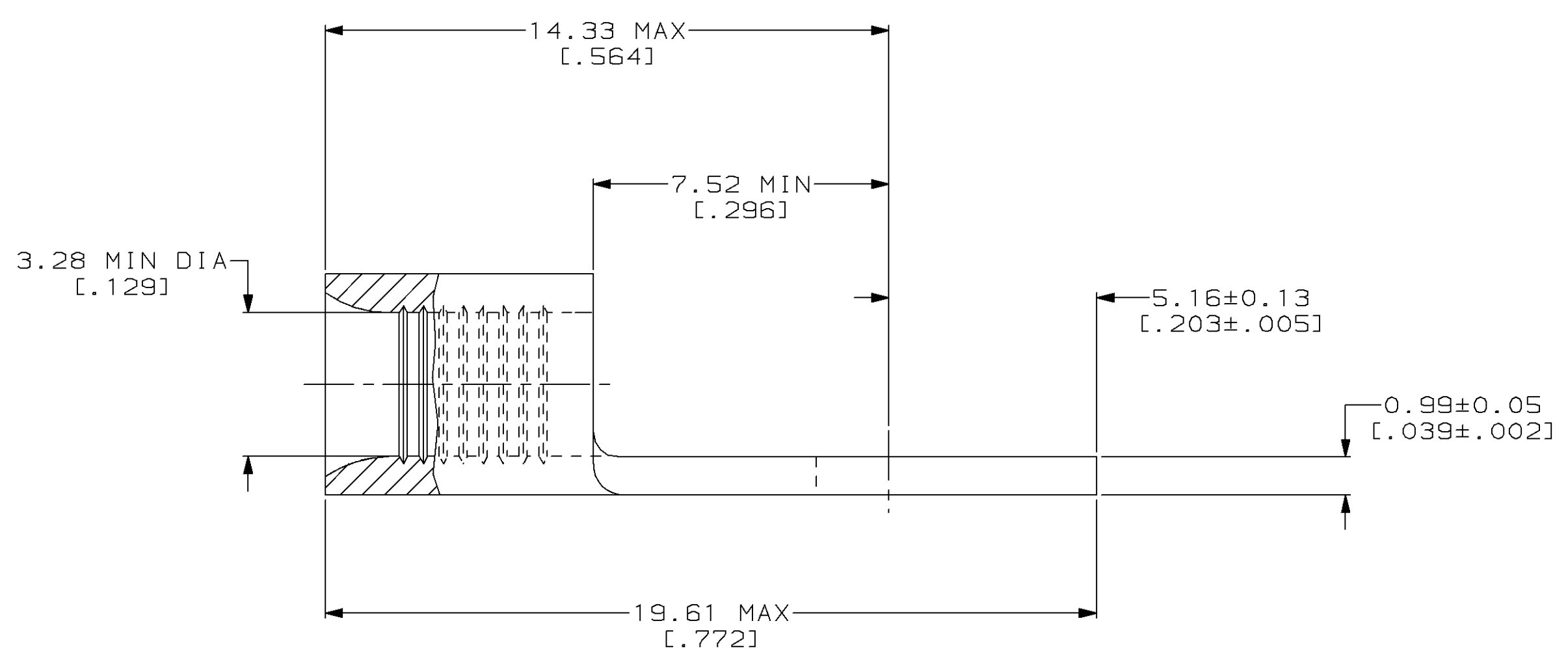
LOC		DIST		REVISIONS				DATE	APPD
P	F	ZONE	LTR	DESCRIPTION					
G	14			F	REV, RDRW, & SM PKG PER 0720-0040-93	3-26-93	DA	DAP	

**METRIC**  
 DIMENSIONS LISTED IN mm [ INCHES ]



<b>AMP</b> WIRE RANGE	<b>UL</b> E13288 Listed
12-10 AWG SOLID OR STRANDED	12-10 AWG STRANDED
<b>SR</b> LR7189 Certified	MILITARY P/N AND CLASS
12-10 AWG SOLID OR STRANDED	NOT APPLICABLE

1 STAMP AMP 12-10\* APPROX AS SHOWN



QUANTITY	PACKAGING TYPE	PART NO
25	LOOSE PIECE, BAG	8-35495-5
50	LOOSE PIECE, BOX	8-35495-2
2500	ON TAPE	2-35495-2
----	LOOSE PIECE	35495

**AMP INCORPORATED**  
**CUSTOMER SERVICE SYSTEMS**

FOR ADDITIONAL PRODUCT INFORMATION OR COPIES OF DRAWINGS AND TECHNICAL DOCUMENTS	PRODUCT INFORMATION CENTER 1-800-522-6752
FOR APPLICATION TOOLING INFORMATION	TOOLING ASSISTANCE CENTER 1-800-722-1111
FOR ORDER ENTRY	1-800-526-5142

MAX RECOMMENDED OPERATING TEMPERATURE:  
 170°C MAX

VOLTAGE RATING:  
 NOT APPLICABLE

WIRE CROSS SECTIONAL AREA RANGE:  
 2.62-6.64mm<sup>2</sup> [5,180-13,100] CIR MILS  
 SOLID OR STRANDED

THIS DRAWING IS A CONTROLLED DOCUMENT FOR AMP INCORPORATED. IT IS SUBJECT TO CHANGE AND THE CONTROLLING ENGINEERING ORGANIZATION SHOULD BE CONTACTED FOR THE LATEST REVISION.

DO NOT SCALE PRINT. UNLESS SPECIFIED DIMENSIONS IN mm [INCHES] - TOLERANCES ON:  
 2 PLC DEC ± -  
 3 PLC DEC ± -  
 ANGLES ± -

MATERIAL  
 COPPER PER ASTM B-152 ANNEALED

FINISH  
 TIN PLATE  
 0.00254 [0.00100] MIN THK PER MIL-T-10727

DR 3-26-93  
 TA BRINKMAN

CHK 3-26-93  
 DA PATTERSON

APPD 3-26-93  
 DE MILLER

APPD 3-26-93  
 JL MECKLEY

PRODUCT SPEC -

APPLICATION SPEC -

WEIGHT -

**AMP** AMP Incorporated  
 Harrisburg, PA 17105-3608

NAME  
**TERMINAL, SPADE TONGUE, SOLISTRAND™**

SIZE  
 © 00779 ©=35495

DRAWING NO  
 ©=35495

SCALE 8:1

SHEET 1 OF 1